

Airmux-400

Point-to-Point Broadband Wireless Radios



RAD's Airmux-400 series of carrier-class broadband wireless radios deliver native Ethernet and TDM services over point-to-point links in various sub-6 GHz frequencies. With a flexible combination of Ethernet and up to 16 E1/T1 interfaces, the high capacity Airmux-400 radio systems provide aggregated throughput of up to 750 Mbps and a range of up to 120 km (75 miles).

The Airmux-400 radio systems incorporate advanced features, such as MIMO, OFDM and high modulation schemes. Furthermore, unique air interface capabilities ensure optimal performance and high spectral efficiency in dense radio environments and multipath conditions. Airmux-400 products comply with worldwide regulations and standards and are deployed globally by leading service providers, as well as operators of public and private networks requiring high-capacity connectivity.

Part of
RAD's Service Assured
Access Solutions

Part of
RAD's Service Assured
Networking Solutions



Your Network's Edge®

Airmux-400

Point-to-Point Broadband Wireless Radios

Key Takeaways:

- Delivers IP and Ethernet over the same link for seamless migration from legacy TDM to IP networks
- Multi-band operation in a single device with a variety of channel bandwidth options
- Robust air interface with unique interference mitigation and N-LOS operation
- Quality of service (QoS) and advanced networking features
- Built-in redundancy and protection schemes maximize service availability

Use Airmux-400 for:



Carrier Ethernet and IP VPNs



Oil & Gas Utilities Communications

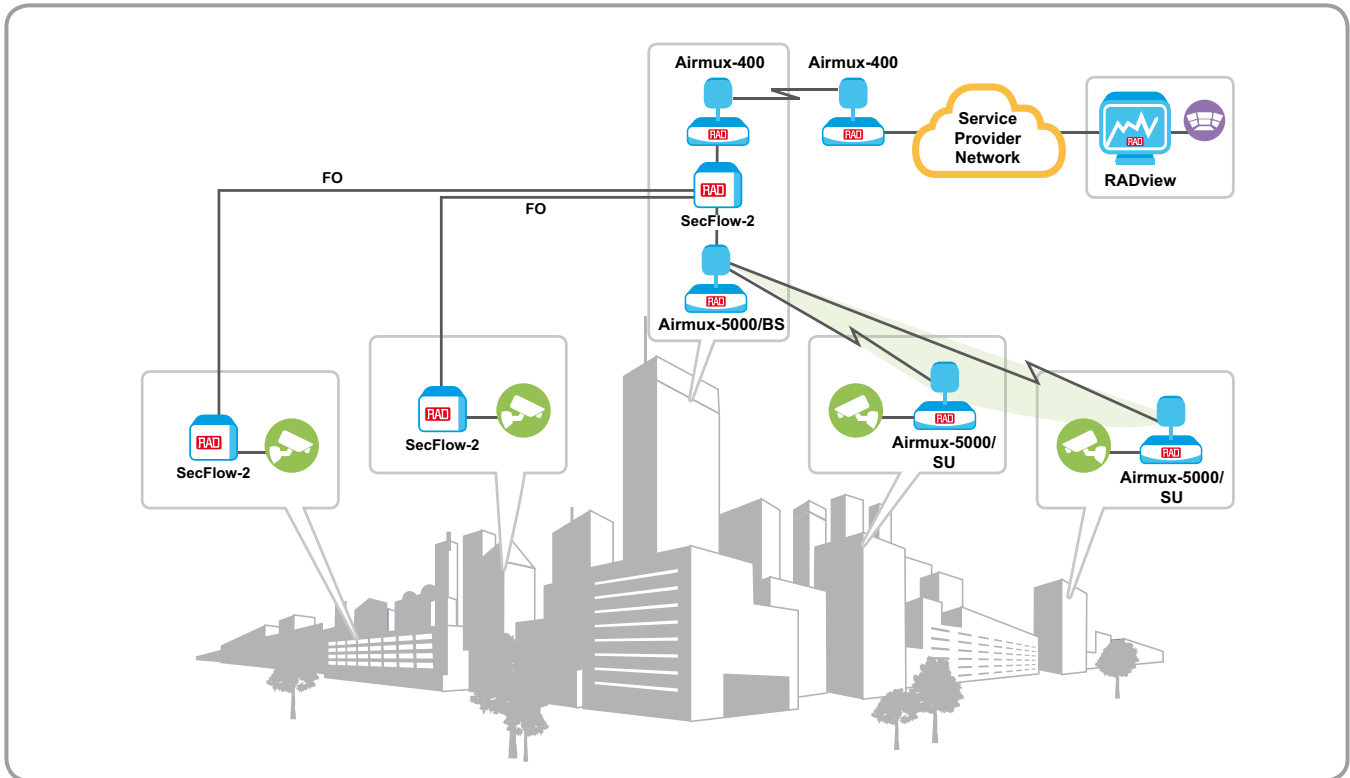


Highway Communications

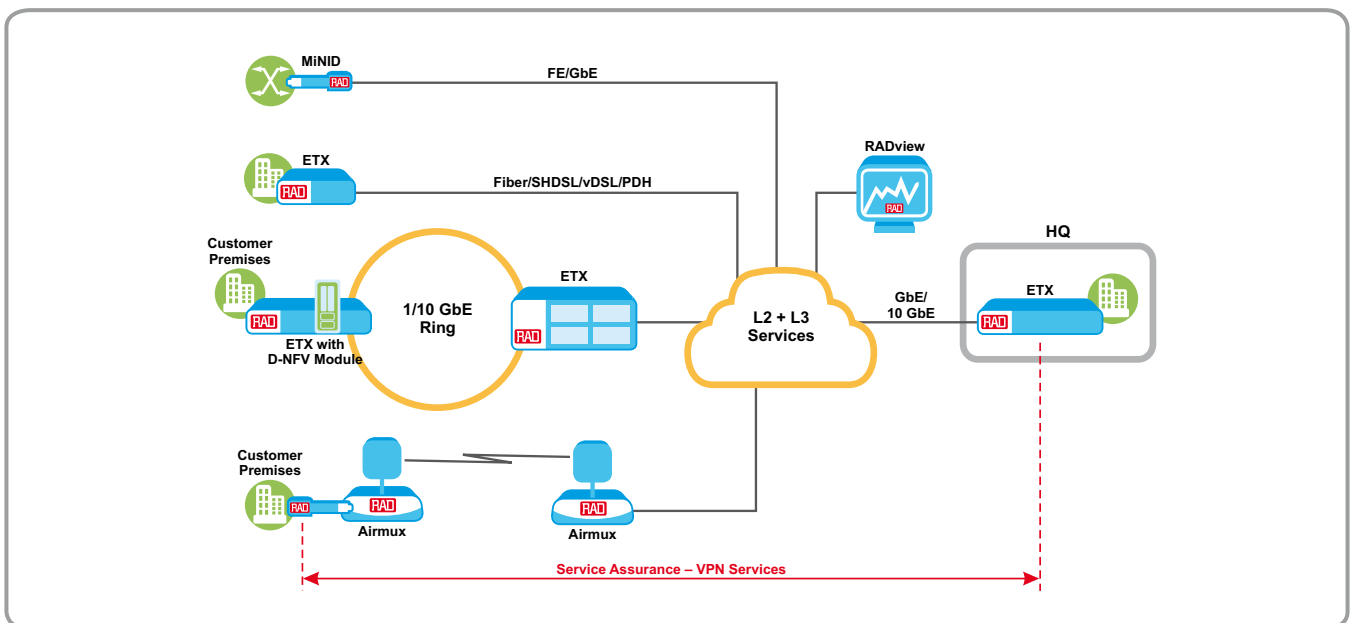


Smart City Communications

Smart City Communications



Carrier Ethernet and IP VPNs



Quick Specs:

Product Series	Max. Aggregate Throughput	Band (GHz)
400H	750 Mbps	5.1-6.0
400P	250 Mbps	4.9, 3.3-3.8/3.65
400SP	25* Mbps	3.3-3.8/3.65
400	200 Mbps + 16 E1s/T1s	2.3-2.4, 2.5-2.7, 3.3-3.8, 4.3-5.0, 4.9-6.0, 5.7-6.4
400L	200 Mbps + 8 E1s/T1s 100* Mbps + 8 E1s/T1s 50* Mbps + 8 E1s/T1s	4.9-6.0, 2.3-2.4
400LC	50 Mbps + 8 E1s/T1s	4.9-5.9
	25* Mbps + 4 E1s/T1s	4.9-5.9
	10* Mbps + 2 E1s/T1s	4.9-5.9

* Software upgradeable

- Up to 16 E1/T1 ports; up to two Gigabit Ethernet interfaces
- OFDM & MIMO 2x2/diversity and high modulation scheme including QAM 256
- 5 MHz, 10 MHz, 20 MHz, or 40 MHz channel bandwidth with dynamic channel bandwidth selection (D-CBS)
- Net throughput: up to 750 Mbps aggregated
- Extended range – up to 120 km (75 miles)
- Automatic channel selection (ACS) with user preferred channels, dynamic frequency selection (DFS) support
- GPS-based hub site TDD synchronization
- AES 128/256 encryption
- Ethernet QoS
- 1+1 redundancy and ring protection
- Element manager (Airmux Manager) and network manager (RADview)
- Telnet & web-based management, IPv4 & IPv6; local and remote access



www.rad.com

Specifications are subject to change without prior notification. The RAD name, logo and logotype are registered trademarks of RAD Data Communications Ltd. RAD product names are trademarks of RAD Data Communications Ltd. ©2015 RAD Data Communications. All rights reserved. Catalog number 802683 Version 10/15